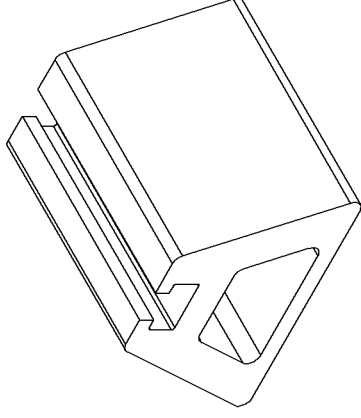
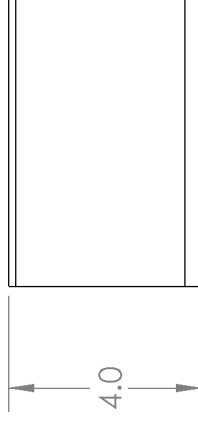
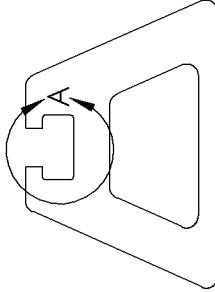


DETAIL A
SCALE 1:2



NOTES:

- 1- MATERIAL IS 75 EPDM (SALT)
- 2- AVAILABLE IN LENGTHS FROM 4 INCHES TO 104 INCHES.
- 3- PART SHOWN IS 6 INCH PRODUCT.

UNLESS OTHERWISE SPECIFIED:

DIMENSIONS ARE IN INCHES
TOLERANCES:
FRACTIONAL: ±
ANGULAR: MACH ± BEND ±
TWO PLACE DECIMAL ±
THREE PLACE DECIMAL ±

PROPRIETARY AND CONFIDENTIAL
THE INFORMATION CONTAINED IN THIS DRAWING IS THE SOLE PROPERTY OF <INSERT COMPANY NAME HERE>. ANY REPRODUCTION IN PART OR AS A WHOLE WITHOUT THE WRITTEN PERMISSION OF THE RUBBER TRIANGLE COMPANY IS PROHIBITED.

NAME	DATE
JLM	4/29/11
TT	4/29/11

DRAWN	
CHECKED	
ENG APPR.	
MFG APPR.	

THE RUBBER TRIANGLE COMPANY
TWINSBURGH, OHIO

TITLE:

RUBBER STRUT SUPPORT

SIZE DWG. NO. REV

A **6 INCH PART**

SCALE: 1:4

SHEET 1 OF 1